



Dual Remote Filtration System Mounting Kit

Installation and Servicing Instructions

IMPORTANT NOTICE

Read **all** instructions completely before attempting to install this unit. Improper installation could result in serious system and/or equipment damage. The installation of this system is not difficult, however, some mechanical ability is necessary. If you are not comfortable with the instructions or have questions, **do not attempt the installation.** Consult a mechanic or contact AMSOIL INC. for further instructions or assistance.

WARNING: Extreme care should be taken to avoid bodily harm during installation. Before starting, ensure the engine is cool to avoid burns and **never** work in the engine compartment area with the engine running.

A. Getting started

1. Check all parts against the parts list and inspect for damage.
2. Make sure you have the tools needed for the job.
3. A Filter Adapter Kit must be purchased separately. Check existing filter thread to select the proper Filter Adapter Kit.

Recommended tool list

Adjustable wrench	5/16" Allen wrench	Drill
7/16" wrench (2)	Torque Wrench	1/4" drill bit
13/16" wrench	Side Cutter	Center punch
7/8" wrench (2)	Adjustable filter wrench	Hammer
15/16" wrench	Drain oil pan	Vice
1" wrench	1 1/16" wrench	

B. Filter selection

Any one of 8 different size AMSOIL Full-Flow Oil Filters and 3 different AMSOIL By-Pass Filters may be used with this mount. Select a full-flow filter that is equivalent or larger than the one originally installed on your vehicle. The larger the filter used, the greater the filtration capacity and the longer the filter life. The by-pass filter should be the largest for which space is available. Use the dimension information below as well as the data in diagram A to assist you in selecting your filters.

AMSOIL Filters

Full-Flow	DIA.	Height	By-Pass	DIA.	Height
Ea026	3.66"	7.04"	EaBP110	4.29"	10.44"
Ea015*	3.66"	5.19"	EaBP100	4.29"	7.25"
Ea096	3.66"	4.25"	EaBP90*	4.29"	5.78"
Ea042	3.66"	3.92"			
Ea034	3.02"	4.73"	*Most commonly used filters		
Ea057	2.92"	3.38"			

1. Survey the engine compartment for possible mounting locations. The mount should be located in the same area as the existing full-flow filter. Make sure the mounting structure is adequate to carry the weight of the filtration system.
2. The filter mount can be rotated 180° in its mounting brackets. This allows the oil supply and return hoses to enter the mount on either the right or left side. Choose the side that will minimize the need for bends in the hoses or the need for additional hose fittings. Also, refer to diagram B for preferred mounting angle positions.
3. When the location has been determined, use the mounting template provided to locate and mark mounting holes. This can be easily done with a center punch and hammer.
4. With a 1/4" drill bit, drill out the previously marked mounting holes and attach the top mount bracket (BP194). Use the 4 - 1" long 1/4" bolts, nuts, small washer and fender washers provided. Note the assembly diagram D for details. Using two 7/16" wrenches or socket, tighten to 8 foot-pounds.
5. Apply thread sealant onto the two o-ring adapter fittings (BP289) as noted in diagram E. Install fittings in mount end adjacent to the arrows. Using a 1" wrench tighten to 30 foot-pounds. If desired, optional 90° angle fitting (BK21) or 45° fitting (BK22) may be installed at this time. See diagram D. **Do not** use thread sealant on either end of the angle fittings; tighten to 525-575 inch-pounds, or, from finger-tight, rotate an additional 60° or 1/6 of a turn. Keep in mind the direction you wish to have the hoses intersect the mount.

6. Apply thread sealant as noted in diagram E to the Allen head o-ring plug (BP191). Using a 5/16" Allen head wrench, install plug in remaining mount port and tighten to 30 foot-pounds. **Note:** If optional oil sampling valve is to be used, refer to diagram D and install in place of the Allen head "O" ring plug. Apply thread sealant to the external threads on all components in the BK13 kit.
7. Attach the filter mount (BK309) to the mounting brackets using 4-1 1/2" long 1/4" bolts, nuts and washers provided. **Warning:** The bolts **must** be installed so that the nuts are on the side opposite the filter nipples. Failure to do this will result in the bolts hitting the oil filters. Using two 7/16" wrenches or sockets, tighten to 8 foot-pounds.

C. Oil Supply

1. Using an oil drain pan to capture lost oil, remove the existing full-flow engine filter. Clean the gasket seating area on the engine with a lint-free cloth. Take the Spin-on Adapter Gasket (BP196) supplied with the Filter Adapter Kit (sold separately) and compare it to the filter contact surface on the engine. If the gasket is smaller than the contact surface, you will need to use the O-ring Casting (BP160) and the 3/8" I.D. o-ring supplied. If the gasket fits the contact surface, the o-ring casting and 3/8" I.D. o-ring should not be used.
2. Temporarily assemble the Filter Adapter Kit by sliding the o-ring (BP346) on to the adapter nut (BP403, 404, 405, 406 or 407), and then slide the adapter nut into the large center hole of the spin-on adapter. (BP402) This can be made easier by applying a small amount of oil on the o-ring.
3. Thread the spin-on adapter on to the engine and determine the direction in which you would like the hoses to intersect the adapter. Remove the assembly from the engine.
4. Apply thread sealant, as noted in diagram E on the BP289 and the BP331 90° fitting. The sealant should be placed on the o-ring side thread only.
5. If you wish to have the hoses intersect the spin-on adapter perpendicular to its top, install the BP289 straight fitting in the adapter nut and the BP331 90° fitting on the side of the spin-on adapter, labeled A. Reverse the fitting position if you wish to have the hoses intersect the spin-on adapter parallel to the top of the spin-on adapter.
6. Using a 1" wrench, tighten BP289 straight fitting to 30 foot-pounds. Thread the BP331 three full turns and position in desired location. Tighten locking nut on fitting 40 - 43 foot-pounds.
7. Apply a thin coating of oil on the spin-on adapter gasket and the adapter nut o-ring.
8. Reassemble adapter and install on engine using the o-ring casting and 3/8" I.D. o-ring assembly if necessary. Make sure fittings are correctly positioned and tighten adapter retaining nut to 35 - 40 foot-pounds.

D. Oil feed and return lines

Note: The hose and hose fittings supplied with this kit have been matched to provide maximum performance and life expectancy. Interchanging with other types or bands is **not recommended and should be avoided.** Should additional hose be required, it may be obtained by the foot from AMSOIL INC. by ordering part number BP350.

1. (Oil supply hose) Measure the amount of hose (BP350) you will need to run from the side port on the spin-on adapter (labeled **A**) to the port with arrow pointing **IN** on the filter mount, also labeled **A**. Additional length will be required to accommodate engine movement during operation. Also, consider how the hose will be routed. Make sure the hose does not contact any hot or moving surfaces or sharp edges. Ensure a minimum bend radius of 2 1/4" is maintained at all corners. Also, bends in hose should not begin at hose fittings. See diagrams C and H for additional detail. Note: Ensure hose has significant additional length to accommodate movement of engine. Note the need for optional 90° fitting.
2. Using a fine-tooth hacksaw or utility knife, squarely cut the hose to the proper length.
3. Install hose fittings (BP360) on both ends of the cut hose. Follow the instructions noted in diagram G. Tools required are one 1" wrench and one 1 1/16" wrench or vise. **Note:** Do not use any form of thread sealant anywhere on the BP360 hose fittings.
4. Route the hose assembly as noted in D.1. and connect the hose fittings. Optional 90° fitting (BK21) or (BK22) 45° fittings may be installed at this time between the hose fitting and mount or spin-on adapter.
5. Using two 1" wrenches, tighten the hose fitting swivel nuts to 525 - 575 inch-pounds or, from finger tight, rotate an additional 60° or 1/6 of a turn. **Note:** Do not use any form of thread sealant anywhere on the hose fittings.
6. (Oil return hose) Repeat steps D.1 through D.5. Connect hose at the center port on the spin-on adapter, labeled **B** and the port with the arrow pointing **Out**, on the filter mount, labeled **B**.

- Use plastic ties (BP46) to secure hose in position and away from potential damage. Trim ties with side cutter. **Note:** Over-tightening the plastic ties may cause the hose to collapse and restrict oil flow.
- Fill the selected full-flow and by-pass filters with the same motor oil being used in the vehicle. Lubricate the filter gaskets with oil and spin filters onto mount. Tighten per instructions on the filter can.

E. Start-up procedures

- Check that all fittings and hoses are securely attached, and that the hoses are routed properly.
- Check engine oil level. Fill to full mark if necessary.
- With the equipment secured, start the engine and immediately check oil pressure. **Note:** Pressure may initially take a moment or two to rise. Installing the Dual Remote By-Pass System may result in a slight vibration sound in some applications. No harm to the engine will occur. Please contact AMSOIL Technical Services for more information.

Caution: Carefully check for leaks at fittings, hoses and mount. If leaks are observed, **STOP ENGINE IMMEDIATELY**, repair leaks and continue.

- After engine has warmed, shut off and re-check engine oil level. Top off as necessary.
- Record equipment/operating hours and date of installation.

F. Periodic maintenance

- Periodic visual inspection of the fittings and hoses is recommended. Check for leaks, hose deterioration and cuts. Repair and/or replace as necessary.
- Refer to Recommended Filter Change Interval chart for servicing intervals.
- To change the filter elements:
 - Ensure engine is off and use caution as the engine, oil and filter may be hot and could result in injury.
 - Using a filter wrench, remove the filter elements. Dispose properly.
 - Clean the filter gasket contact areas on the mount with a clean, lint-free rag.
 - Lubricate the new filter gaskets with clean oil or grease.
 - Fill filters as full as possible with engine oil.
 - Screw on new filters, tighten per instructions on the filter can.
 - Start engine and check for leaks.
 - Check engine oil level, fill as needed.
- Record equipment/operating hours for future reference.

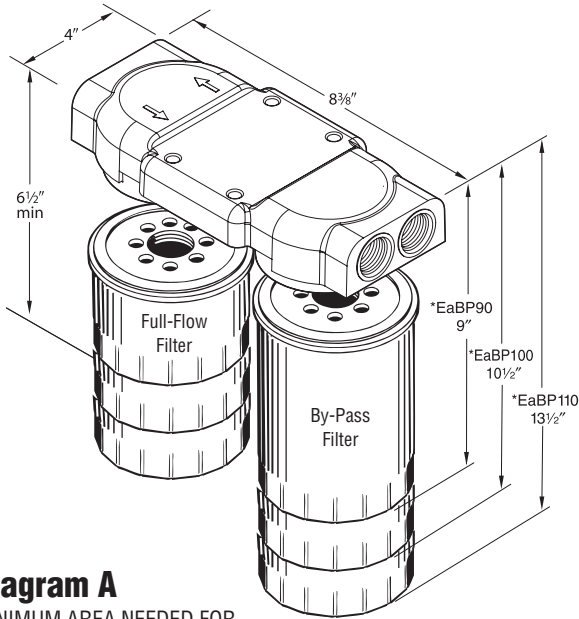
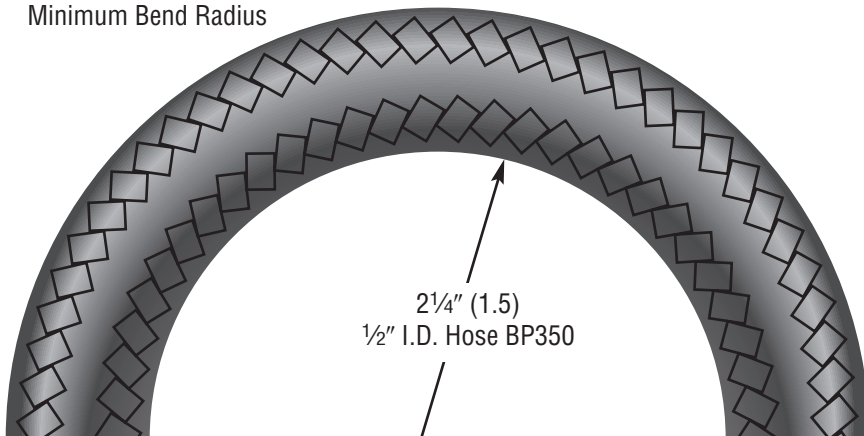


Diagram A

MINIMUM AREA NEEDED FOR DUAL MOUNT AND SPIN-ON OIL FILTER ELEMENTS
 * Mount and element heights plus 1-inch removal clearance

Diagram C

Minimum Bend Radius



Parts and assembly list

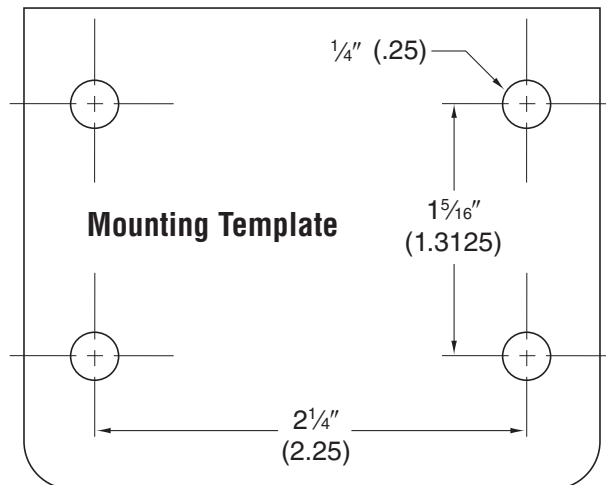
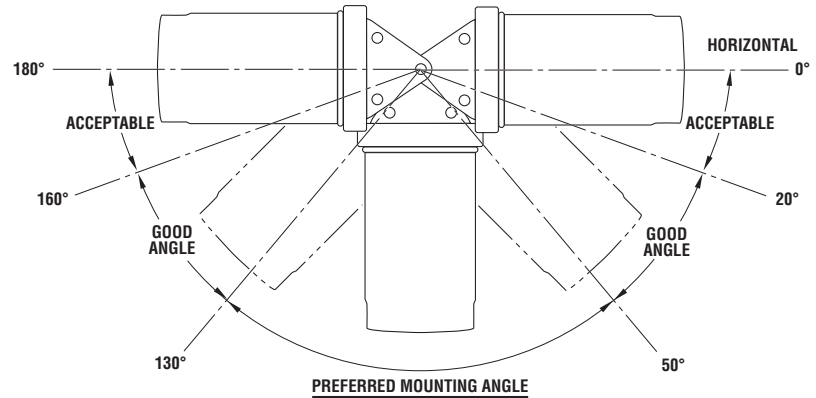
Dual Mount By-pass Filter System (BMK23)

Item	Description	Qty.	Part No.
1.	Filter Mount Assembly	1	BK309
2.	Allen Head Plug	2	BP191
3.	1/4" 20 x 1" Hex Head Bolt	4	BP23
4.	1/4" I.D. Washer	6	BP21
5.	1/4" Self Locking Nuts	8	BP22
6.	90° fitting 7/8"-14 x 5/8" JIC	1	BP331
7.	O-Ring Fitting 7/8"-14 x 5/8" JIC	3	BP289
8.	Hose Fitting	4	BP360
9.	1/2" I.D. Hose	12'	BP350
10.*	Spin-On Adapter	1	BP402
11.*	Adapter Retaining Nut 22 mm x 1.5	1	BP403
11.*	Adapter Retaining Nut 3/4"-16	1	BP404
11.*	Adapter Retaining Nut 1 3/16"-16	1	BP405
11.*	Adapter Retaining Nut 18mm x 1.5	1	BP406
11.*	Adapter Retaining Nut 20mm x 1.5	1	BP407
12.*	Gasket 2 1/2" ID	1	BP196
13.*	O-Ring 3 1/8" ID	1	BP162
14.	Mounting Bracket Top	1	BP194
15.	Mounting Bracket Bottom	1	BP195
16.	1/4"-20 x 1 1/2" Hex Head Bolt	4	BP185
17.	1/4" ID Fender Washer	4	BP186
18.*	Adapter Nut O-Ring	1	BP346
19.*	O-Ring Casting	1	BP160
	Plastic Tie	2	BP46
	Thread Sealant	1	BP198
	Instruction Sheet	1	BP252
Optional Parts			
	Oil Sampling Kit	1	BK13
	Deluxe Oil Sampling Valve 1/4" NPT (Must also order BP209)	1	G1570
	90° Fitting 7/8"-14 x 5/8" JIC	1	BK21
	45° Fitting 7/8"-14 x 5/8" JIC	1	BK22

*Included. Spin-on adapter kit sold separately.

Mounting Angle Diagram B

(Recommendations are the same right to left and front to back)
 Mounting angle above horizontal is not recommended



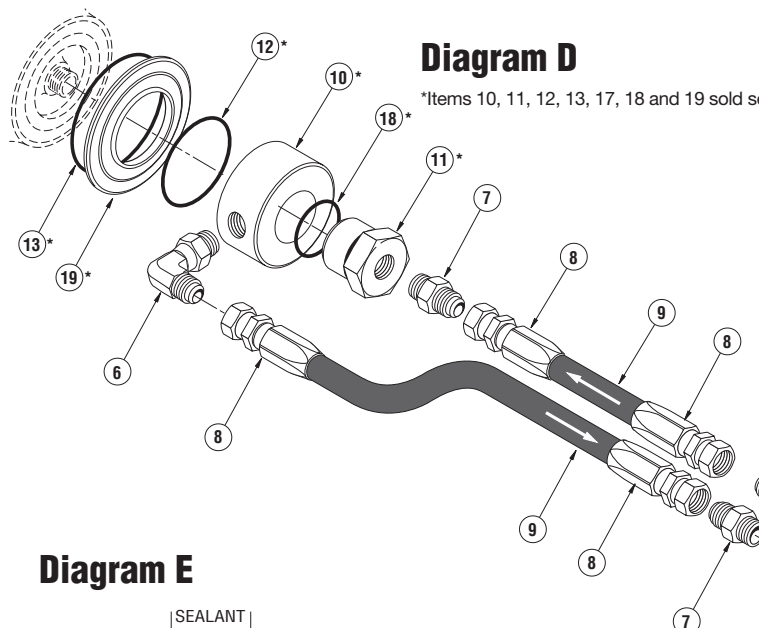
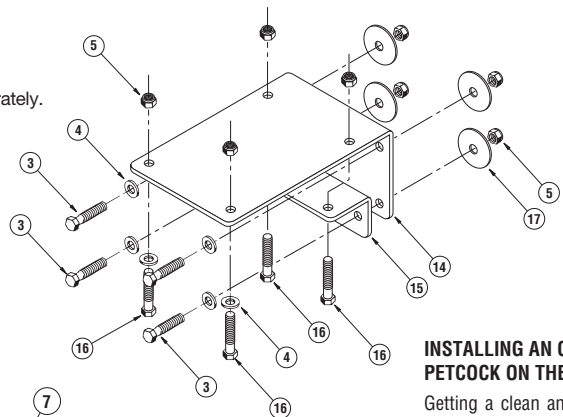


Diagram D

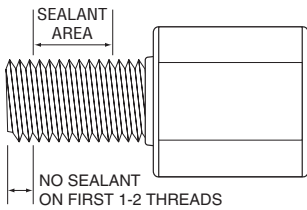
*Items 10, 11, 12, 13, 17, 18 and 19 sold separately.



INSTALLING AN OIL SAMPLING PETCOCK ON THE SPIN-ON BY-PASS:

Getting a clean and uncontaminated oil sample is easy and simple when an oil sampling pet cock is installed into the spin-on by-pass oil filter system. Order kit BK13.

Diagram E



Note: If Teflon tape is used, it should be wrapped no more than 1½ to 2 turns in a clockwise direction when viewed from the thread end.

AMSOIL Full-Flow Filter Sold Separately

AMSOIL By-Pass Filter Sold Separately

Oil Analysis:

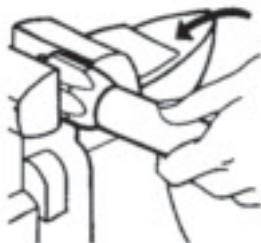
For oil analysis vehicles, order KIT06 Oil Analysis Sampling Kits (in U.S., Canada, Puerto Rico).

optional BK13 Sampling Kit

Diagram F Thread adapters (sold separately)

If your equipment uses this AMSOIL Filter	This is the thread used on that equipment	This is the adapter kit you should use	If your equipment uses this AMSOIL Filter	This is the thread used on that equipment	This is the adapter kit you should use
EaO13	20mm x 1.5mm	BK298	EaO44	20mm x 1.5mm	BK298
EaO15	¾" - 16	BK295	EaO50	22mm x 1.5mm	BK299
EaO20	20mm x 1.5mm	BK298	EaO52	1¾" - 16	BK302
EaO22	1¾" - 16	BK296	EaO57	¾" - 16	BK295
EaO23	18mm x 1.5mm	BK297	EaO64	1¾" - 16	BK296
EaO24	1¾" - 16	BK296	EaO80	1" - 16	BK300
EaO25	1¾" - 16	BK296	EaO96	¾" - 16	BK295
EaO26	¾" - 16	BK295	EaO99	1½" - 16	BK301
EaO29	18mm x 1.5mm	BK297			
EaO30	1¾" - 16	BK296	Adapters		
EaO34	¾" - 16	BK295	¾" - 16		BK295
EaO36	20mm x 1.5mm	BK298	1¾" - 16		BK296
EaO42	¾" - 16	BK295	18mm x 1.5mm		BK297
			20mm x 1.5mm		BK298
			22mm x 1.5mm		BK299
			1" - 16 (Cummins)		BK300
			1½" - 16 (Power Stroke 7.3 L)		BK301
			1¾" - 16 (Duramax 6.6 L)		BK302

Diagram G



1. Place socket in vise and screw in hose counter-clockwise until hose bottoms. Back hose out ½ turn.

2. Oil inside of hose and the tapered nipple thread areas liberally with oil. Do not oil hose cover. Apply anti-seize to all thread areas.

3. Screw nipple assembly into socket using wrench on nipple hex until nipple hex shoulders against socket.

BMK23 PARTS IDENTIFICATION SHEET

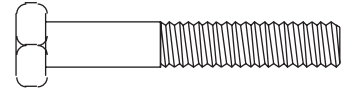
(4) BP46

PLASTIC TIE



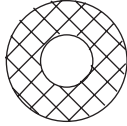
(4) BP185

1/4" X 1 1/2"
BOLT



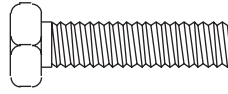
(6) BP21

1/4" I.D. WASHER



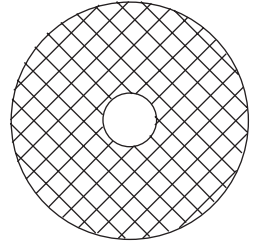
(4) BP23

1/4" X 1" BOLT



(4) BP186

1/4" FENDER
WASHER



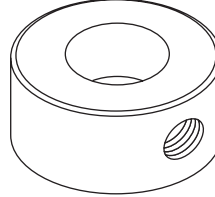
(8) BP22

1/4" NUT



(1) BP402*

FILTER ADAPTER



NOT TO SCALE

(1) BP160*

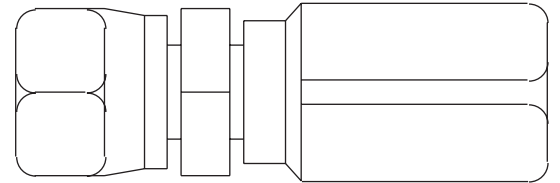
O-RING CASTING



NOT TO SCALE

(4) BP360

HOSE FITTING



(1) BP162*

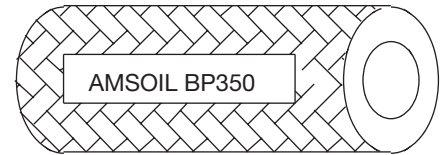
LARGE O-RING
3 1/8" I.D.



NOT TO SCALE

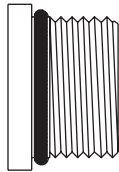
(8) BP350

1/2" I.D. HOSE



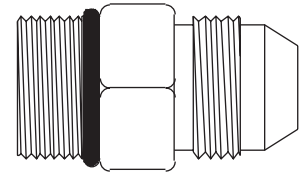
(2) BP191

ALLEN HEAD
PLUG



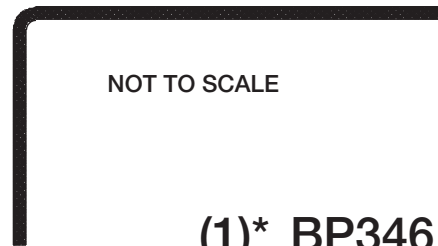
(3) BP289

O-RING
FITTING
ADAPTER



(1) BP194

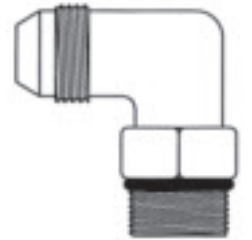
MOUNTING
BRACKET
TOP



NOT TO SCALE

(1) BP331

90° Fitting



(1) BP195

MOUNTING
BRACKET
BOTTOM



NOT TO SCALE

(1)* BP346

Adapter Nut O-Ring
1 3/16" I.D.



*BP403 22mm x 1.5 Thread

or
*BP404 3/4" - 16 Thread

or
*BP405 1 3/16" - 16 Thread

or
*BP406 18 mm x 1.5 Thread

or
*BP407 20 mm x 1.5 Thread

Adapter retaining nut



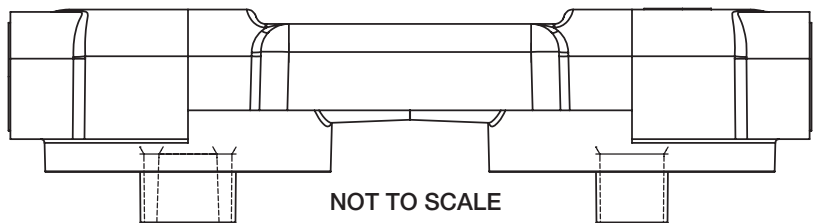
(1) BP196

SMALL O-RING
2 1/2" I.D.



(1) BK309

FILTER MOUNT
ASSEMBLY



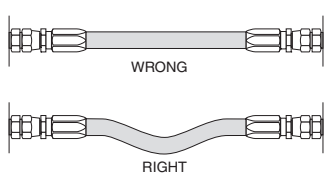
NOT TO SCALE

* Contained in thread adapter kits, sold separately.

AMSOIL By-Pass Warranty

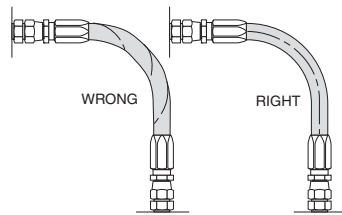
AMSOIL INC. warrants each AMSOIL By-pass System to be free from defects in material and workmanship for a period of one year from the time of purchase. **THIS WARRANTY DOES NOT APPLY IF THE BY-PASS SYSTEM HAS BEEN IMPROPERLY INSTALLED, ABUSED, DAMAGED, USED IN COMPETITIVE RACING OR ON MODIFIED ENGINES OR IF USED IN ANY AIRCRAFT OF AVIATION APPLICATION. AMSOIL INC. DOES NOT MAKE BY-PASS RECOMMENDATIONS FOR AIRCRAFT OR AVIATION USE.** If your AMSOIL By-pass System is found to be defective within a period of one year from the time of purchase, AMSOIL INC. will replace the By-pass System or defective component with another AMSOIL By-pass System or component or refund or credit the AMSOIL Dealer's or customer's account. AMSOIL will reimburse you for the reasonable costs of the parts and labor required to repair your engine or equipment to the extent the damage was solely attributable to a defect in your AMSOIL By-pass System. In order to obtain engine or equipment repairs under this warranty the Dealer or customer must directly contact AMSOIL Technical Service, AMSOIL INC., 1101 Susquehanna Ave., Superior WI 54880, Tel: 715-399-TECH (8324). The customer must also allow the AMSOIL Technical Services Department to examine the By-pass System or Filter(s) and, if required, the engine or equipment, to determine the extent of damage and whether it was caused by a defective AMSOIL By-pass System or Filter(s). The By-pass System and Filter(s) must be returned, in its original, undamaged condition, to the AMSOIL Technical Service Department for examination. This warranty is exclusive of any other warranty, express or implied. **AMSOIL BY-PASS SYSTEMS EXPRESSLY DISCLAIMS, WITHOUT LIMITATION, THE IMPLIED WARRANTIES OF MERCHANTABILITY AND OF FITNESS FOR A PARTICULAR PURPOSE.** The foregoing states the entire AMSOIL By-pass System's exclusively liability and the buyer's exclusive and sole remedy for any damages or claim made in connection with the sale of an AMSOIL By-pass System. AMSOIL By-pass Systems shall in no event be liable for any special, incidental, or consequential damages whatsoever, except those specifically provided for in this warranty. Some states do not allow the exclusion or limitation of incidental or consequential damages, so the above limitations or exclusion may not apply to you. This warranty gives you specific legal rights and you may also have other rights, which vary from state to state.

Diagram H Hose routing examples



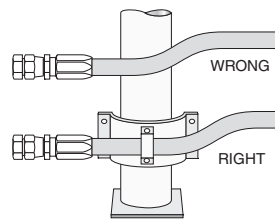
1. Provide for length change

In straight hose installations allow enough slack in the hose line to provide for changes in length that will occur when pressure is applied. This change in length can be from +2% to -4%.



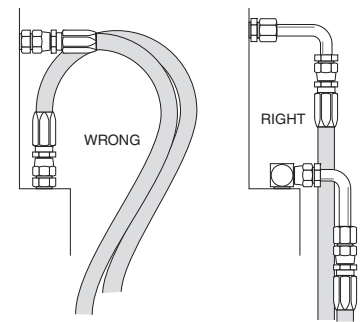
2. Avoid twisting

Do not twist hose during installation. This can be determined by the printed layline on the hose. Pressure applied to a twisted hose can cause hose failure or loosening of connections.



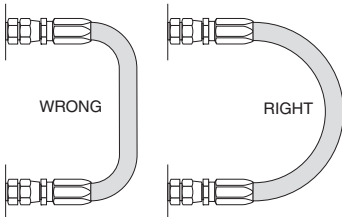
3. Protect from hazardous environment

Keep hose away from hot parts. High ambient temperature will shorten hose life. If you can not route it away from the heat source, insulate it.



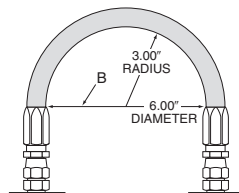
4. Avoid mechanical strain

Use elbows and adapters in the installation to relieve strain on the assembly, and to provide easier, neater installations that are accessible for inspection and maintenance.



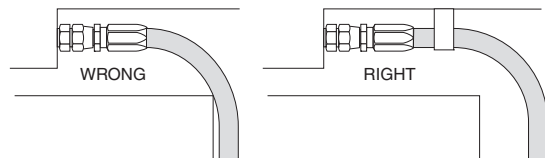
5. Use proper bend radius

Keep the bend radius of the hose as large as possible to avoid collapsing of the hose and restriction of flow. Follow catalog specs on minimum bend radii.



6. Use proper bend radius (cont.)

Maximum bend radius is measured on the inside bend of the hose. To determine minimum bend, divide the total distance between ends (B length) by 2. For example, if the diameter is 6, minimum bend radius is 3.

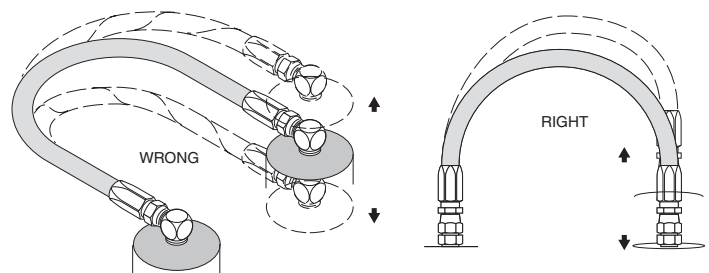


7. Secure for protection

Install hose runs to avoid rubbing or abrasion. Use clamps to support long runs of hose or to keep hose away from moving parts. It is important that the clamps do not allow the hose to move. This movement will cause abrasion and premature hose failure.

8. Avoid Improper Hose Movement

Make sure relative motion of the machine components produces bending rather than twisting of the hose. Hose should be routed so that the flex is in the same plane as the equipment movement.



AMSOIL Oil Filter Change Recommendations

Vehicles with Gasoline- or Diesel-Fueled Engines

- **EaO and Donaldson Endurance ELF 7349** (Dodge Cummins 5.9L): Up to 25,000 miles (15,000 miles for severe service) or one-year service life, whichever comes first, when used in conjunction with AMSOIL synthetic motor oil. Always change oil filter at time of oil change.
- **Ea By-pass Filters:** Should be changed every-other full-flow filter change up to 60,000 miles, whichever comes first. When used with other brands of motor oil or full-flow filters, the EaBP Filters should be changed every-other full-flow filter change. AMSOIL recommends using oil analysis when extending oil drain intervals.
- **Donaldson Endurance:** Heavy-duty commercial vehicles and off-road equipment, when used in conjunction with AMSOIL synthetic motor oil, up to two times longer than OEM* recommendations, not to exceed 60,000 miles for on-highway diesel applications. Always change oil filter at the time of oil change.
- **WIX and Donaldson "P" Series:** OEM* Recommendations.
- **MANN Filters:** Guaranteed up to 7,500 miles when used in conjunction with AMSOIL synthetic motor oil.

Stationary Engines

- **EaO and Donaldson Endurance:** Up to two times longer than OEM* recommendations. Always change oil filter at time of oil change.
- **WIX and Donaldson "P" Series:** OEM* Recommendations.

To order by-pass oil filter parts or oil sample kits, consult your AMSOIL Dealer or the AMSOIL Wholesale Price List.